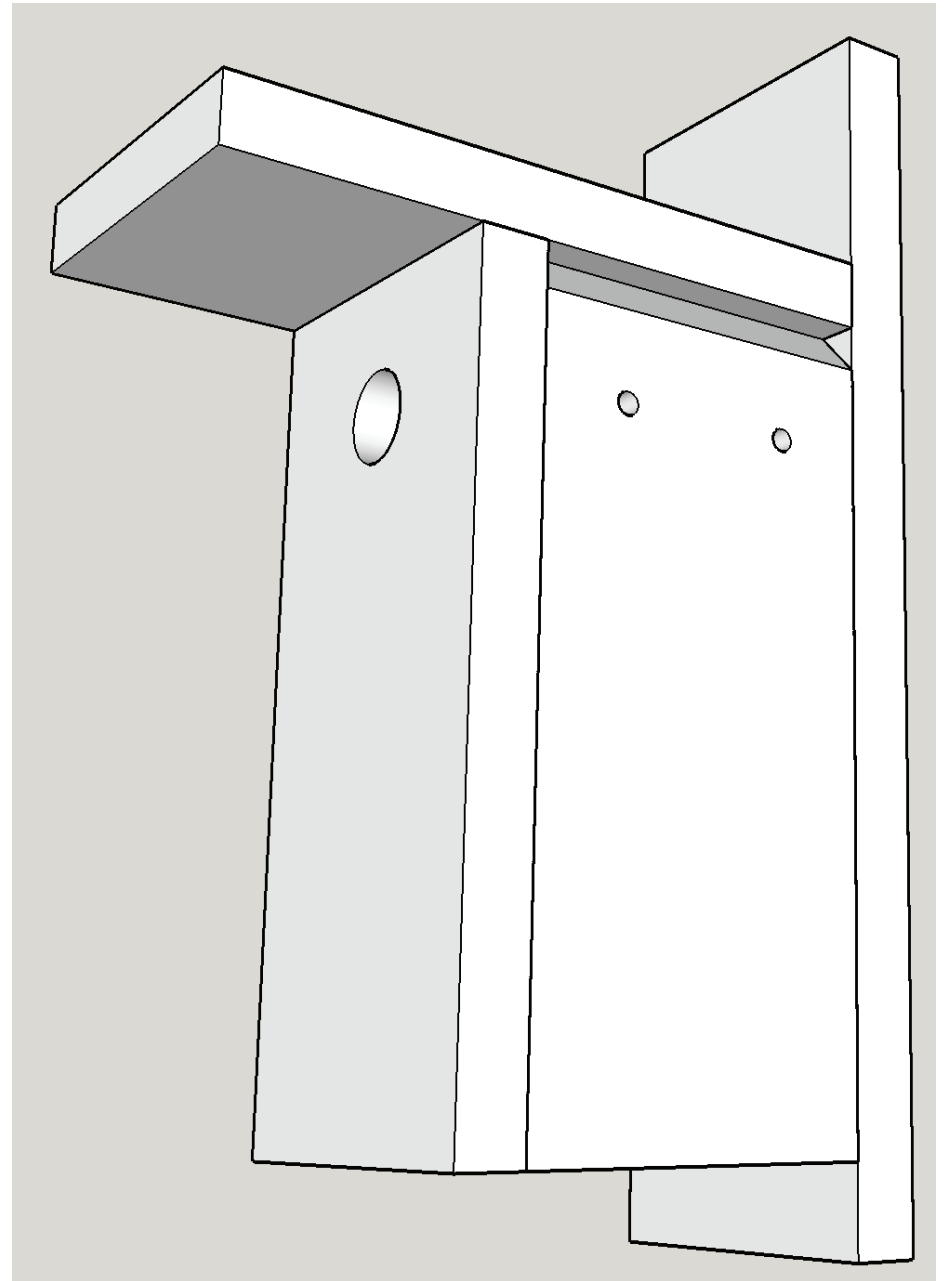


# Chickadee House Plans



# Chickadee House

Chickadees are cavity nesters, hence these houses for them are built like a tree cavity! But with a swinging door so that after nesting season they can be cleaned out and ready for next year!

The Chickadees would also like some saw dust or small chips inside to make it feel more like an actual tree cavity, so feel free to put some of that inside, through the handy dandy swinging door!

Feel free to paint them and make them look pretty on the outside. If you make them out of cedar, then they definitely do not need to be finished.

These houses can be placed 4' to 15' off the ground, attached to a tree. Further away from the house would be best, to keep them feeling secure.

If you find these plans helpful, please consider donating a Ko-Fi at:  
<https://ko-fi.com/canadiansasquatch>

Thanks!

-- Steve the Canadian Sasquatch

# Parts & Tools

## Parts

1 - 1x5 Board, at least 52" long

A bunch of 1-1/4" nails, whatever you have laying around

Weather proof glue like Titebond 3 (optional but recommended)

Paint (optional)

1 - 1" wood screw

## Tools

Saw

Hammer

Measuring device like tape measure

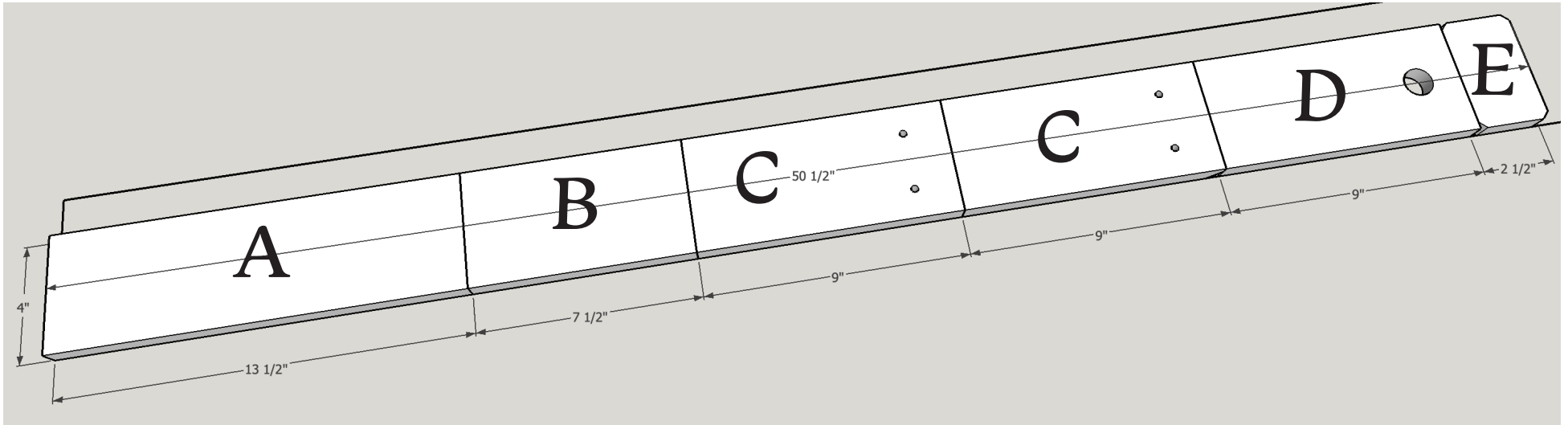
Straight edge

Pencil

Drill with 3/32", 1/4" and 1" drill bits.

Screwdriver (type depends on the screw you use.)

# Cut List



A - Back - 13 1/2 x 4"

B - Roof - 7 1/2 x 4"

C - Sides (2) - 9 x 4"

D - Front - 9 x 4"

E - Floor - 2 1/2 x 4"

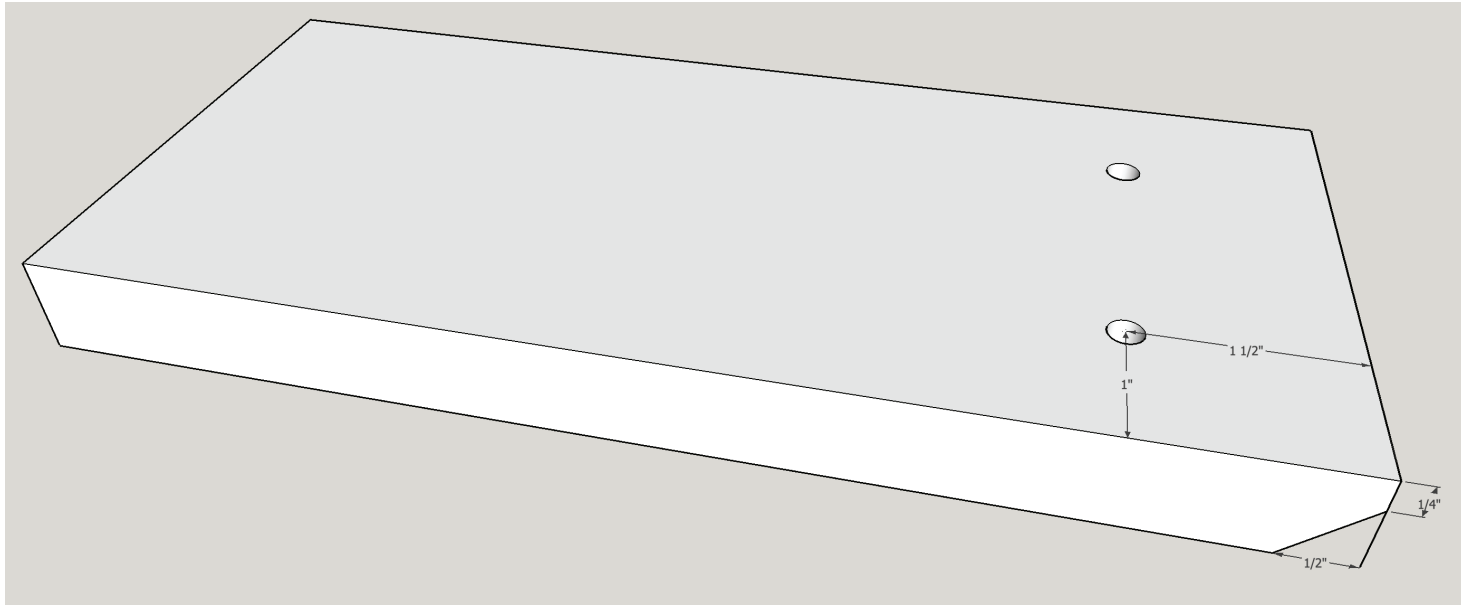
Based on the cut list on the previous page, measure out the first piece, and draw a line across. Then cut along this line.

Follow through this process until all of the pieces have been cut to length. Do not worry about The Odd Shaped pieces, as we will explain how to cut those shapes in the following pages. Just cut them to size now.

Be sure to measure and cut each piece one at a time. If you measure out all of the pieces, then cut them, by the time you get to the last piece you will be short on length, due to the width of the saw blade not being incorporated in those measurements.

# The Odd Shapes

## Sides



On both sides, at the top, measure in 1" from the sides, and 1 1/2" from the top. Drill a 1/4" hole here. Do this to both sides of both sides. These holes are for ventilation inside the house.

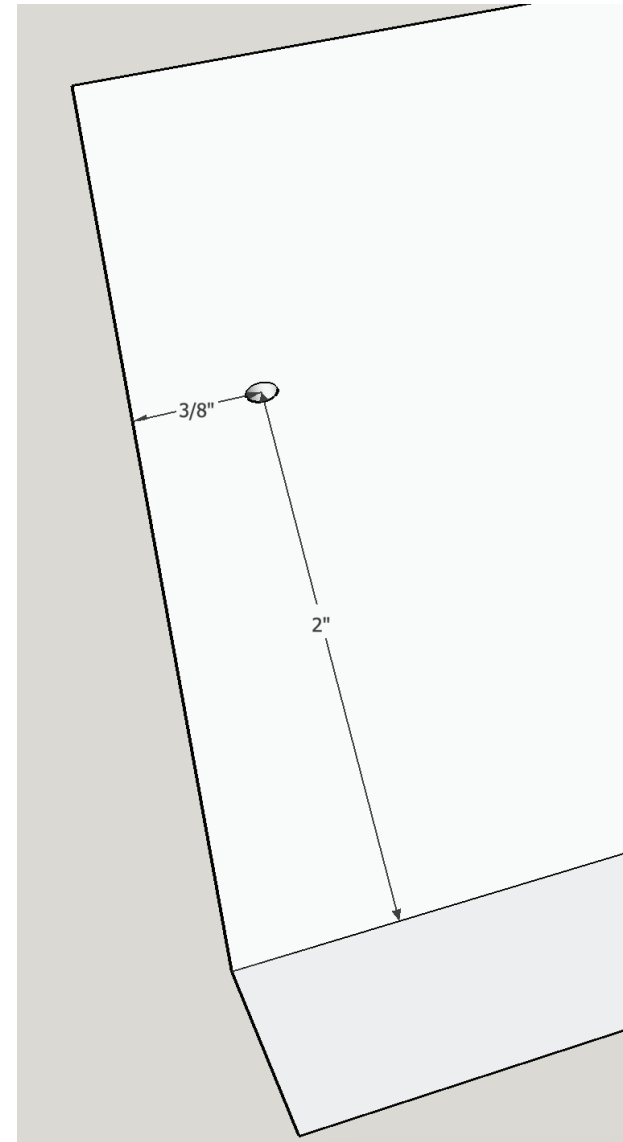
On one side only, from one side of the board, measure in 1/2". At that point cut a 45 degree angle. This should leave about 1/4" of the edge left.

# The Odd Shapes

## Side - The Beveled Side

On the same side that you cut the bevel on, at the bottom. Measure over 2" and up 3/8" from the bottom and drill a 3/32" hole.

This will be our pilot hole for the one screw that we use to help lock the door.



# The Odd Shapes

## Floor



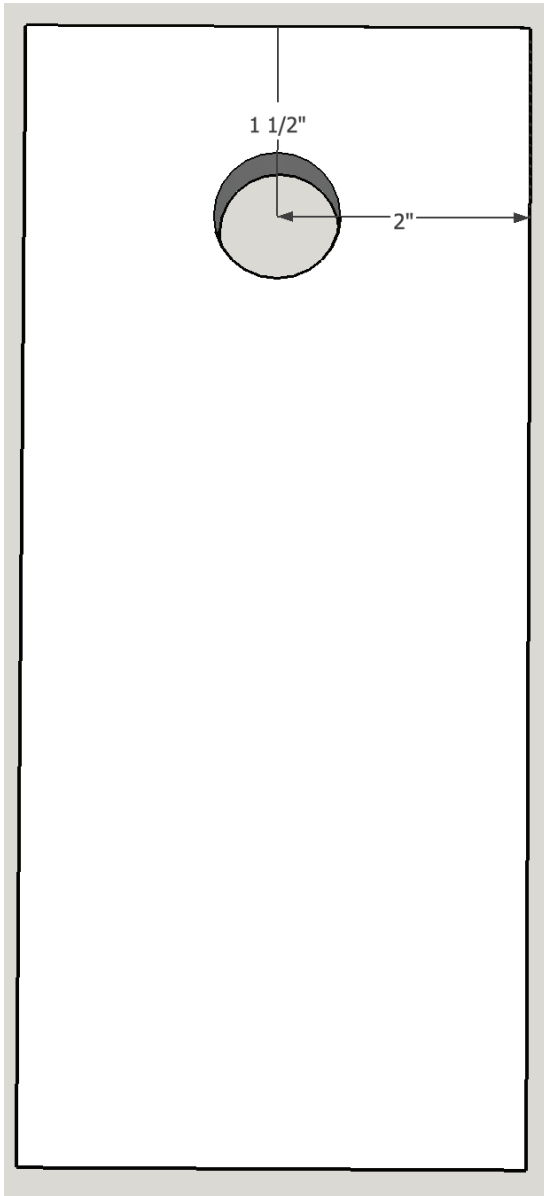
On all four of the corners, measure in 1/4" and cut at a 45 degree angle.

These are for allowing water and debris the birds don't want to fall out of the house.



# The Odd Shapes

## Front



On the front, measure in 1 1/2" from the top and 2" from the side. At this point, drill a 1" whole.

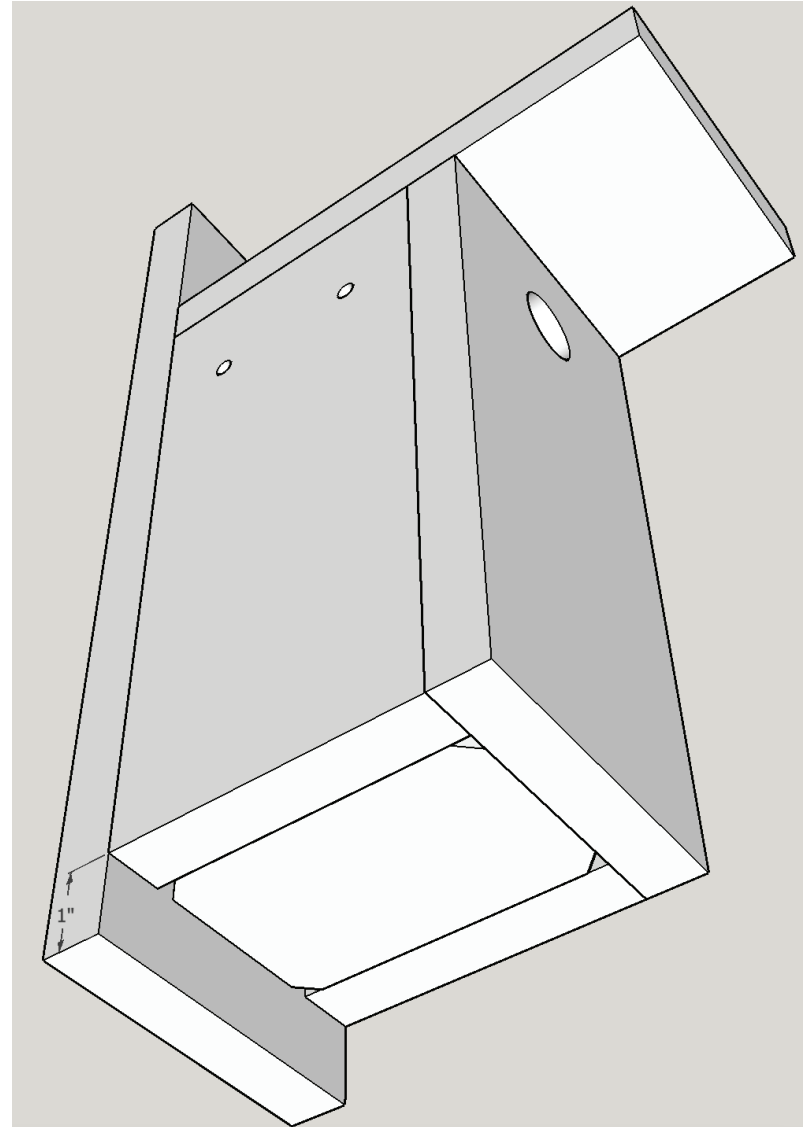
This is the entrance to the house.

# Putting it Together

Line up the side that is not beveled with the floor and glue and nail it.

Do the same with the front, lining up the floor and side you just attached.

With the back, measure 1" from the bottom and line up the floor with the side and front attached and glue and nail the floor and side to the back.



# Putting it Together

Line the roof up with back, and top of the front and side that we have already attached. Glue and nail it down.

Line up the side with the bevel, to the front, back and floor. Use the screw in the pilot hole at the bottom to secure the piece in place.

Then nail from the front and back at the top, towards the bottom of the bevel,  $\frac{3}{8}$ " from the edge. This is our hinge.

